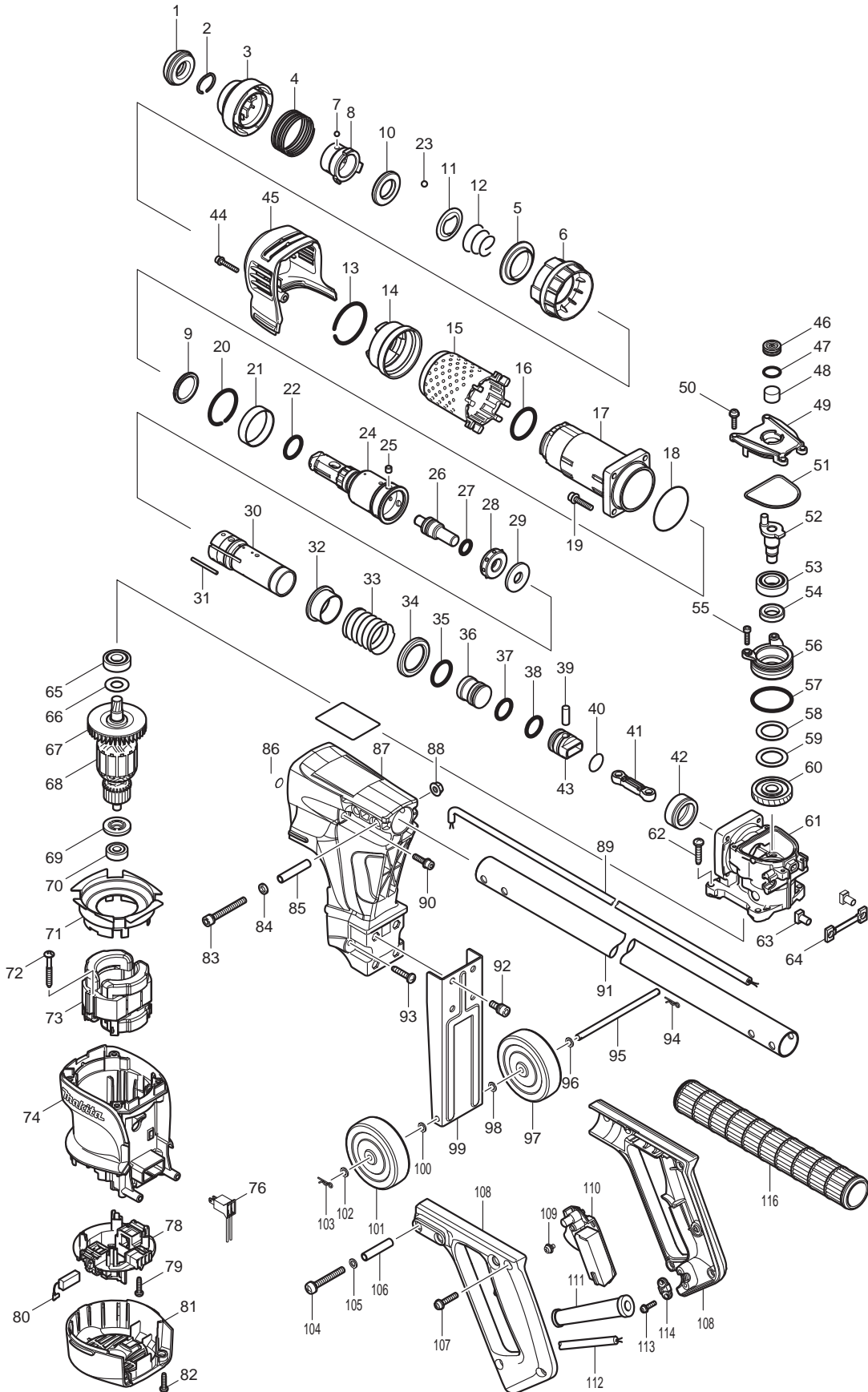




02 - 2010
HK1820L

SDS PLUS - POWER SCRAPER, LONG HANDLE



| Item No | Type | Part No | Description | Qty | Unit |
|---------|------|----------|-----------------------------|-----|------|
| 001 | | 286283-8 | CAP 38 | 1 | PC. |
| 002 | | 233966-1 | RING SPRING 19 | 1 | PC. |
| 003 | | 450275-5 | CHUCK COVER | 1 | PC. |
| 004 | | 234039-3 | COMPRESSION SPRING 42 | 1 | PC. |
| 005 | | 345874-5 | STEEL BALL GUIDE | 1 | PC. |
| 006 | | 450274-7 | CHANGE RING | 1 | PC. |
| 007 | | 216002-8 | STEEL BALL 4.8 | 3 | PC. |
| 008 | | 331796-5 | RING 25 | 1 | PC. |
| 009 | | 262142-0 | URETHAN RING 26 | 1 | PC. |
| 010 | | 257288-5 | RING 21 | 1 | PC. |
| 011 | | 345873-7 | GUIDE WASHER | 1 | PC. |
| 012 | | 233916-6 | CONICAL COMP. SPRING 21-29 | 1 | PC. |
| 013 | | 231985-1 | RING SPRING 43 | 1 | PC. |
| 014 | | 450273-9 | BARREL COVER SUPPORT | 1 | PC. |
| 015 | | 424066-0 | BARREL COVER | 1 | PC. |
| 016 | | 213465-9 | O RING 31 | 1 | PC. |
| 017 | 2 | 318196-6 | BARREL | 1 | PC. |
| 018 | | 213606-7 | O RING 48 | 1 | PC. |
| 019 | | 922243-3 | HEX. SOCKET HEAD BOLT M5X25 | 4 | PC. |
| 020 | | 233956-4 | RING SPRING 37 | 1 | PC. |
| 021 | 1 | 257290-8 | * RING 39 | 1 | PC. |
| | 2 | 257296-6 | * RING 39 | 1 | PC. |
| 022 | | 213008-7 | O RING 22.4 | 1 | PC. |
| 023 | 2 | 216022-2 | STEEL BALL 7.0 | 2 | PC. |
| 024 | | 324837-4 | TOOL HOLDER | 1 | PC. |
| 025 | 2 | 268226-2 | * PIN 6 | 3 | PC. |
| 026 | | 324844-7 | IMPACT BOLT | 1 | PC. |
| 027 | | 213128-7 | O RING 12 | 1 | PC. |
| 028 | | 424065-2 | RUBBER RING 13 | 1 | PC. |
| 029 | | 267363-9 | FLAT WASHER 12 | 1 | PC. |
| 030 | 1 | 331804-2 | * CYLINDER | 1 | PC. |
| | 2 | 331849-0 | * CYLINDER | 1 | PC. |
| 031 | 1 | 256833-3 | * ROD 3 | 3 | PC. |
| | 2 | 256862-6 | * ROD 2.5 | 3 | PC. |
| 032 | | 331799-9 | RING 29 | 1 | PC. |
| 033 | | 234041-6 | COMPRESSION SPRING 32 | 1 | PC. |
| 034 | | 345872-9 | CUP WASHER 29 | 1 | PC. |
| 036 | | 324847-1 | STRIKER | 1 | PC. |
| 037 | | 213283-5 | O-RING 18 | 1 | PC. |
| 038 | | 213283-5 | O-RING 18 | 1 | PC. |
| 039 | | 256087-2 | PIN 7 | 1 | PC. |
| 040 | | 213262-3 | O RING 18 | 1 | PC. |
| 041 | | 450278-9 | CONNECTING ROD | 1 | PC. |
| 042 | | 331797-3 | SLEEVE 29 | 1 | PC. |
| 043 | | 450298-3 | PISTON | 1 | PC. |
| 044 | | 922148-7 | HEX. SOCKET HEAD BOLT M4X25 | 1 | PC. |
| 045 | | 450277-1 | CRANK HOUSING COVER | 1 | PC. |
| 046 | | 419988-7 | FILTER CAP | 1 | PC. |
| 047 | | 213218-6 | O RING 16 | 1 | PC. |
| 048 | | 443129-3 | FILTER | 1 | PC. |
| 049 | | 450276-3 | CRANK CAP | 1 | PC. |
| 050 | | 911133-5 | PAN HEAD SCREW M4X18 | 4 | PC. |
| 051 | | 424067-8 | SEAL RING | 1 | PC. |
| 052 | | 324845-5 | CRANK SHAFT | 1 | PC. |
| 053 | | 211232-6 | BALL BEARING 6002LLU | 1 | PC. |
| 054 | | 213219-4 | OIL SEAL 15 | 1 | PC. |
| 055 | | 265490-6 | HEX. SOCKET HEAD BOLT M4X16 | 2 | PC. |

| Item No | Type | Part No | Description | Qty | Unit |
|---------|------|----------|--------------------------------------|-----|------|
| 056 | | 318202-7 | BEARING BOX | 1 | PC. |
| 057 | | 213513-4 | O RING 39 | 1 | PC. |
| 058 | | 267126-3 | FLAT WASHER 22 | 1 | PC. |
| 059 | | 267126-3 | FLAT WASHER 22 | 1 | PC. |
| 060 | | 226675-9 | HELICAL GEAR 36 | 1 | PC. |
| 061 | | 158523-3 | CRANK HOUSING COMPLETE | 1 | PC. |
| | INC. | 213415-4 | O RING 28 | 1 | PC. |
| 062 | | 266041-8 | TAPPING SCREW 5X25 | 4 | PC. |
| 063 | | 331798-1 | FIX GUIDE | 2 | PC. |
| 064 | | 424068-6 | CUSHION PLATE | 1 | PC. |
| 065 | | 211131-2 | BALL BEARING 6001DDW | 1 | PC. |
| 066 | | 253748-5 | FLAT WASHER 12 | 1 | PC. |
| 067 | | 241879-2 | FAN 60 | 1 | PC. |
| 068 | | 513756-1 | ARMATURE ASS'Y 115V | 1 | PC. |
| | INC. | | Item No. 65-67,69,70 | | |
| 069 | | 681644-1 | INSULATION WASHER | 1 | PC. |
| 070 | | 210005-4 | BALL BEARING 608DDW | 1 | PC. |
| 071 | | 450265-8 | BAFFLE PLATE | 1 | PC. |
| 072 | | 266211-9 | TAPPING SCREW 5X40 | 2 | PC. |
| 073 | | 625816-8 | FIELD 115V | 1 | PC. |
| 074 | | 450263-2 | MOTOR HOUSING | 1 | PC. |
| 076 | | 638607-8 | LEAD UNIT | 1 | PC. |
| 078 | | 638393-1 | BRUSH HOLDER UNIT | 1 | PC. |
| 079 | | 265995-6 | TAPPING SCREW 4X18 | 4 | PC. |
| 080 | 3 | 197244-2 | CARBON BRUSH CB-351 2PC/SET W/ORIGIN | 1 | SET |
| 081 | | 450264-0 | REAR COVER | 1 | PC. |
| 082 | | 265995-6 | TAPPING SCREW 4X18 | 2 | PC. |
| 083 | | 922371-4 | HEX. SOCKET HEAD BOLT M6X50 | 2 | PC. |
| 084 | | 941151-9 | FLAT WASHER 6 | 2 | PC. |
| 085 | | 257734-8 | SLEEVE 6 | 2 | PC. |
| 086 | 1 | 683242-7 | * POLYETHYLENE TUBE 10-40 | 1 | PC. |
| | 2 | 683247-7 | * POLYETHYLENE TUBE 10-960 | 1 | PC. |
| 087 | | 450467-6 | HANDLE BASE | 1 | PC. |
| 088 | | 252115-1 | FLANGE HEX.NUT M6 | 2 | PC. |
| 089 | | 664176-3 | CORD W/PLUG 2P-18-1.105 | 1 | PC. |
| 090 | | 266439-9 | HEX SOCKET HEAD BOLT M5X20 | 2 | PC. |
| 091 | | 331839-3 | PIPE 29-900 | 1 | PC. |
| 092 | | 922323-5 | HEX.SOCKET HEAD BOLT M6X16 | 4 | PC. |
| 093 | | 266041-8 | TAPPING SCREW 5X25 | 2 | PC. |
| 094 | | 259011-4 | SNAP PIN 6 | 1 | PC. |
| 095 | | 321962-2 | ROD | 1 | PC. |
| 096 | | 941152-7 | FLAT WASHER 6 | 1 | PC. |
| 097 | | 421310-6 | CASTER 75 | 1 | PC. |
| 098 | | 941152-7 | FLAT WASHER 6 | 1 | PC. |
| 099 | | 345890-7 | SUPPORTER | 1 | PC. |
| 100 | | 941152-7 | FLAT WASHER 6 | 1 | PC. |
| 101 | | 421310-6 | CASTER 75 | 1 | PC. |
| 102 | | 941152-7 | FLAT WASHER 6 | 1 | PC. |
| 103 | | 259011-4 | SNAP PIN 6 | 1 | PC. |
| 104 | | 911366-2 | PAN HEAD SCREW M6X45 | 2 | PC. |
| 105 | | 941152-7 | FLAT WASHER 6 | 2 | PC. |
| 106 | | 257632-6 | SLEEVE 6 | 2 | PC. |
| 107 | | 911243-8 | PAN HEAD SCREW M5X25 | 3 | PC. |
| 108 | | 181954-1 | HANDLE SET | 1 | SET |
| 109 | | 911109-2 | PAN HEAD SCREW M4X8 | 2 | PC. |
| 110 | | 651018-0 | SWITCH (TRIGGER) | 1 | PC. |
| 111 | | 682503-2 | CORD GUARD 8-90 | 1 | PC. |

| Item No | Type | Part No | Description | Qty | Unit |
|---------------------------|-------------|----------------|----------------------------|------------|-------------|
| 112 | | 660023-6 | CORD W/PLUG 2P-18-5.0M, SJ | 1 | PC. |
| 113 | | 911128-8 | PAN HEAD SCREW M4X16 | 2 | PC. |
| 114 | | 687002-9 | STRAIN RELIEF | 1 | PC. |
| 116 | | 424091-1 | GRIP COVER 28 | 1 | PC. |
| 117 | | 423122-3 | * CUSHION PLATE (Old) | 3 | PC. |
| 118 | | 213142-3 | * O-RING 35 | 1 | PC. |
| <u>ACCESSORIES</u> | | | | | |
| A01 | | 783203-8 | HEX. WRENCH 5 | 1 | PC. |
| A02 | 1 | 188500-1 | HAMMER SERVICE KIT | 1 | PC. |
| | 2 | 195194-5 | HAMMER SERVICE KIT | 1 | PC. |
| A03 | | A-68161 | SCRAPER ASSY, SDS-PLUS | 1 | PC. |
| C01 | | 849295-8 | CARTON F/HK1820L | 1 | PC. |

SERVICE CHANGES

1. Changes on Ring 39 and addition of O Ring 35

| Item No. | Description | Type 1 | Type 2 |
|----------|-------------|----------|----------|
| 21 | Ring 39 | 257290-8 | 257296-6 |
| 118 | O Ring 35 | ----- | 213142-3 |

Above parts are completely interchangeable as a set.

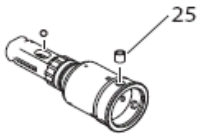


2. Changes on Pin 6, cushion plate, rod 3 and cylinder, etc.

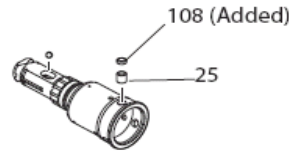
| Item No. | Description | Type 1 | Type 2 | Type 3 |
|----------|---------------|----------|----------|----------|
| 25 | Pin 6 | 256266-2 | | 268226-2 |
| 117 | Cushion Plate | ----- | 423122-3 | ---- |
| 30 | Rod | | 256833-3 | 256862-6 |
| 31 | Cylinder | | 331804-2 | 331849-0 |
| 35 | O Ring 26 | 213435-8 | | ----- |

Item No. 30 and Item No. 31 are interchangeable as a set.

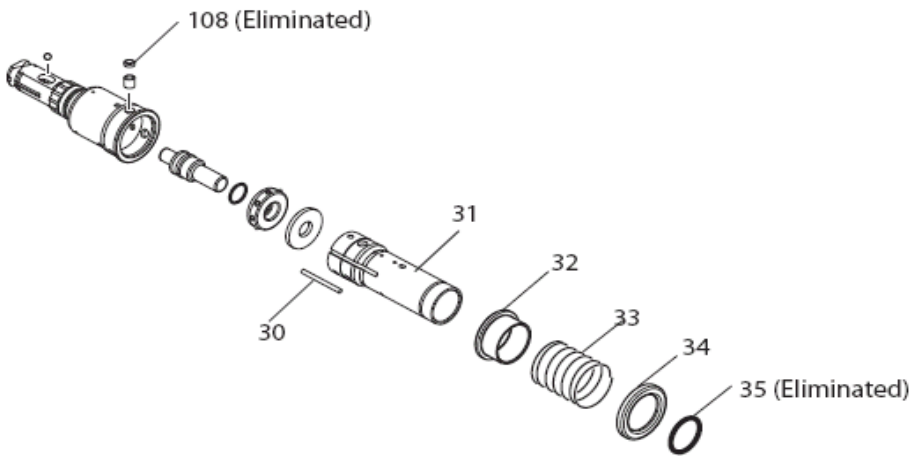
Old (Type1 - Pin 6 and cushion plate)



Old (Type2 - Pin 6 and cushion plate)



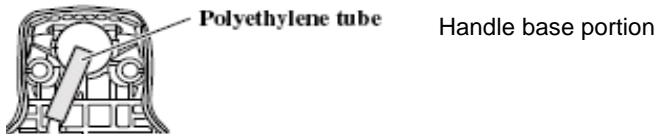
New



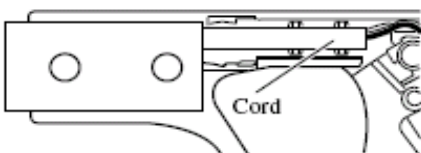
3. Changes Polyethylene Tube

| Item No. | Description | Type 1 | Type 2 |
|----------|-------------------|-----------------|------------------|
| 86 | Polyethylene Tube | 683242-7 (40mm) | 683247-7 (960mm) |

Length has been changed from 40mm to 960mm to cover the cord.



Type1



Type2 The cord is covered with Polyethylene tube

